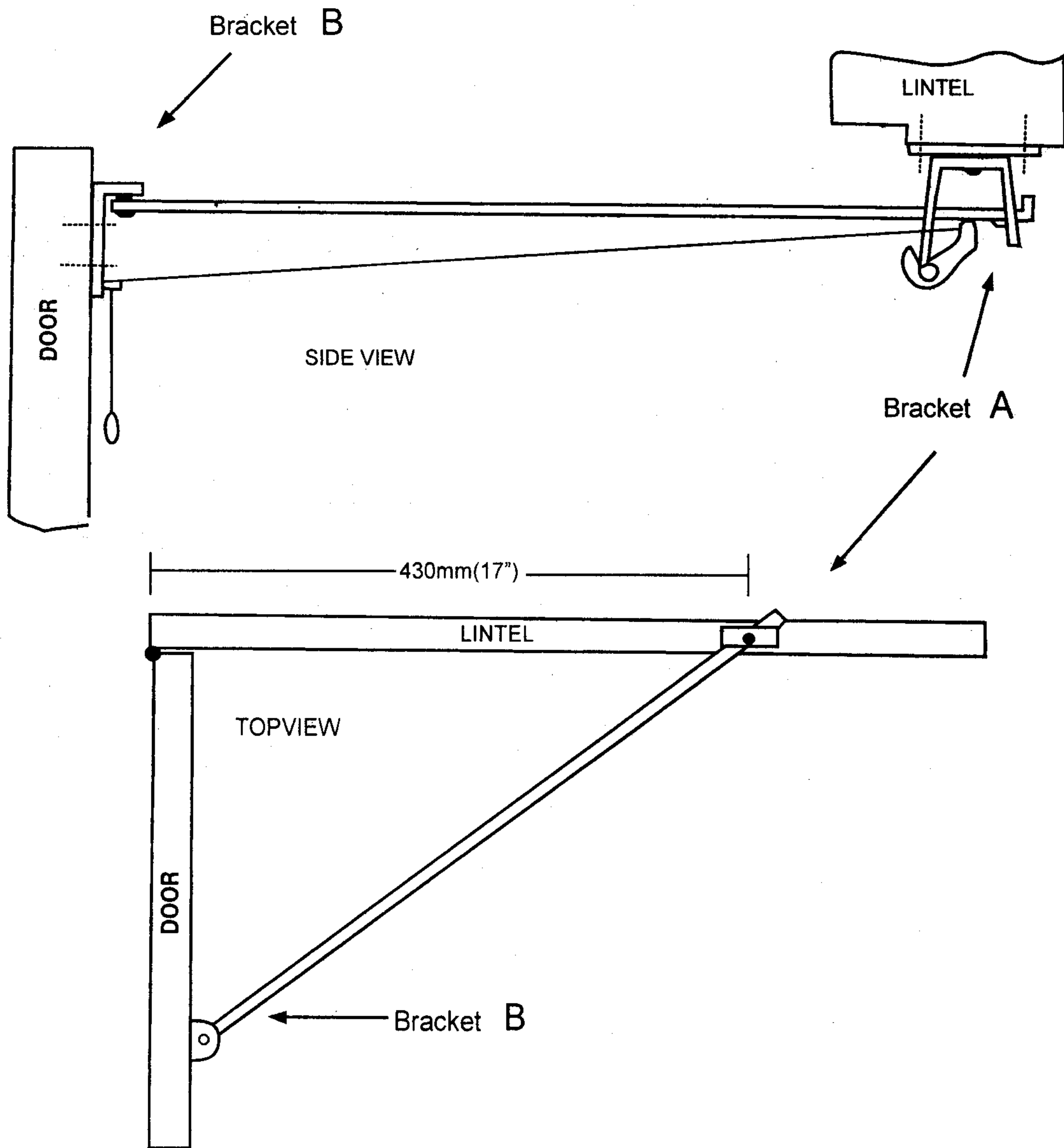


No.1010 Senior Reliance Garage Door Holders For Wide Lintels



FIXING INSTUCTIONS

- (1) Open the door to right angles.
- (2) Fix bracket 'A' to lintel at distance of 430mm (17") for from the centre of the hinge pin to the centre Of the swivel plate, as shown above. Ensure bracket is fixed with front edge of the top swivelling fixing plate parallel to, but set back from, the door rebate.
- (3) whilst the door is open at right angles Fix bracket 'B' to door. The bar must be horizontal.
- (4) Should the door be required to open wider than 90 degrees both brackets must moved nearer the hinge