

# CROMPTON GARAGE DOOR HOLDERS

## Pattern No.1015 (for wide lintels)

### Easy fitting guide

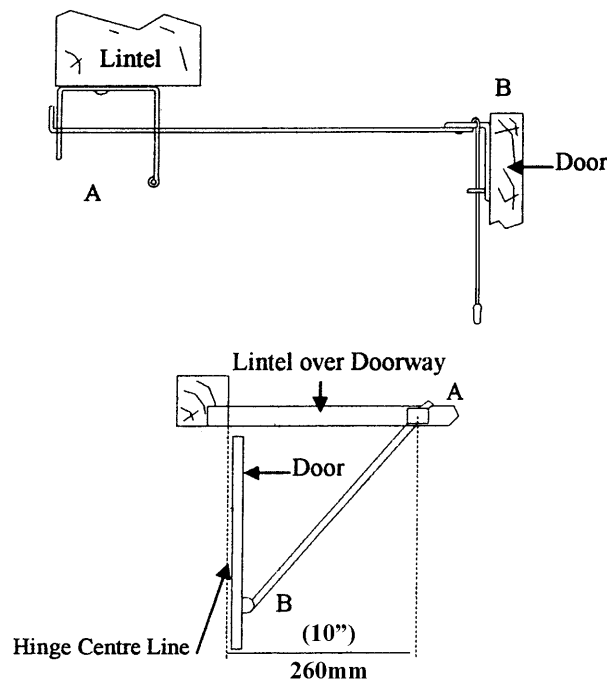
Fix the end marked A to the lintel over doorway 260mm (10") from the centre of the hinge pin on which the door swings. Open the door to an angle of 90° and fix part B to the door.

If the door is required to open more than 90° open it to the required angle and fix part B to the door - still keeping part A 260mm (10") from the centre of the hinge pin.

Provision is made in part B for the fixing of one 6mm (1/4") bolt and it is advisable for the bolt to be used in addition to the screws.

**See that the bar is perfectly horizontal when fixed, or it cannot work freely.**

### No.1015 for Wide Lintels



**TECHNICAL HELPLINE**  
**01922 490 050**

Reduce the risk with ERA PRODUCTS LTD  
Call 01922 490000 for your FREE brochure  
[www.era-security.com](http://www.era-security.com)