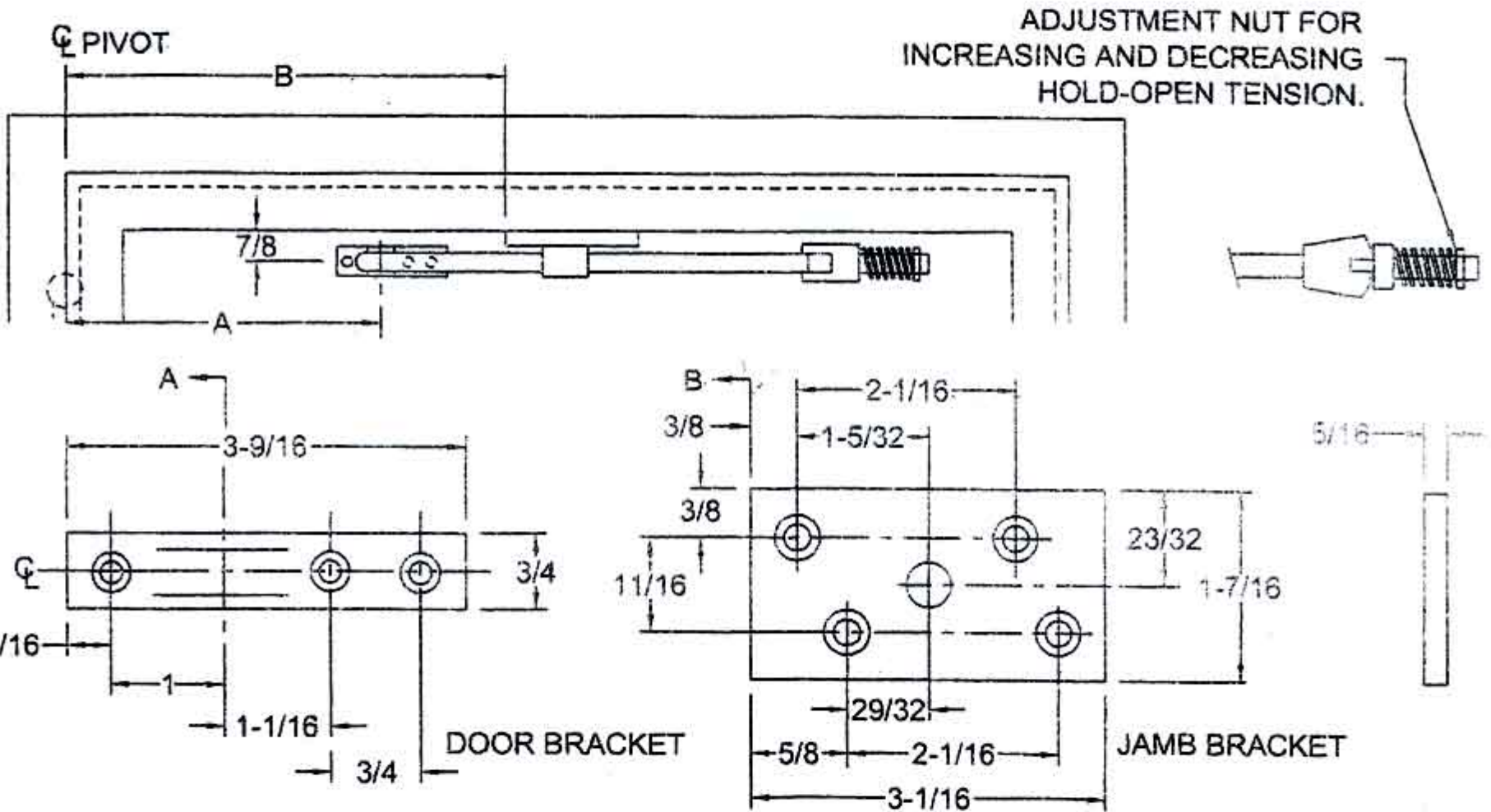
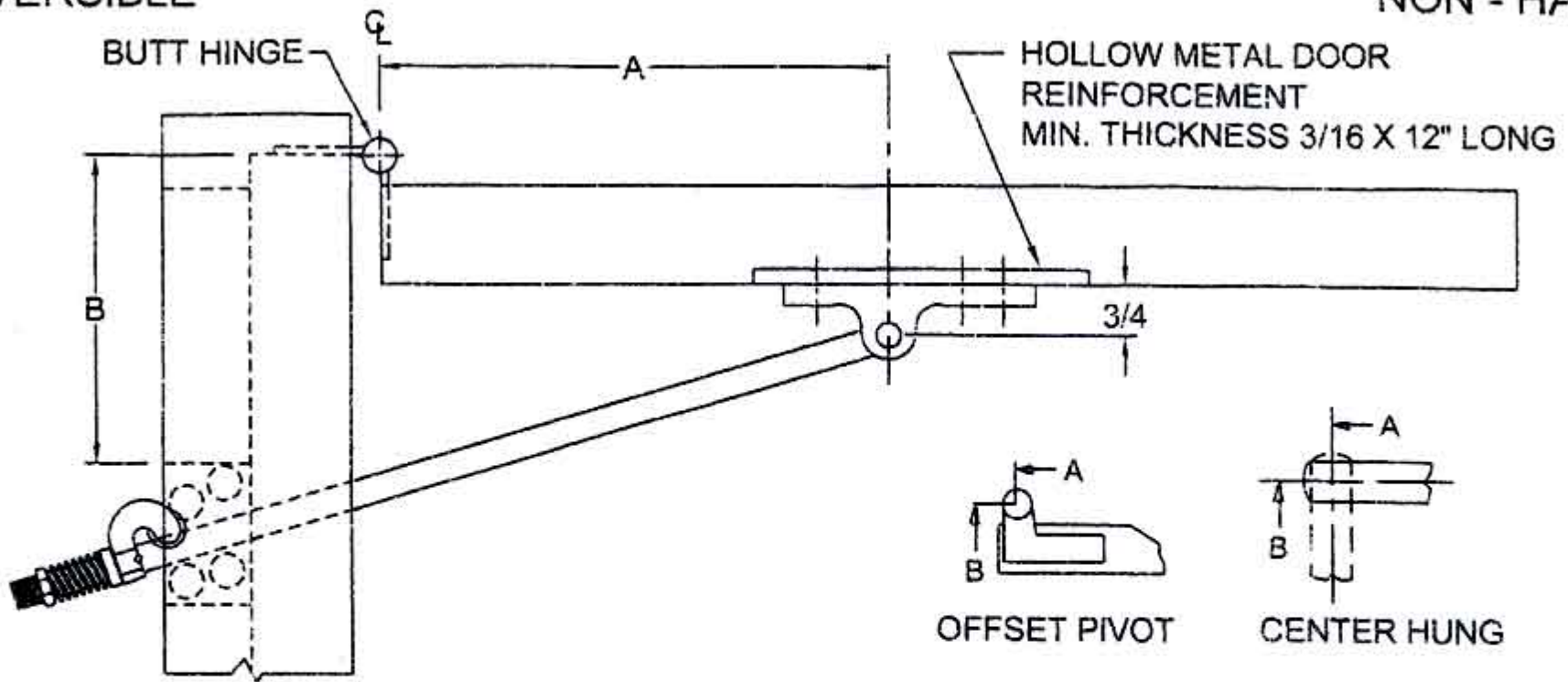


REVERSIBLE

NON - HANDED



NOTE: ALL A & B DIMENSIONS MEASURED FROM  $\phi$  OF PIVOT.

SCREW DETAIL			
	QTY	WOOD	METAL
JAMB	4	No. 14 X 1- 1/2" F.H.W.S.	1/4" - 20 x 3/4" F.H.M.S.
DOOR	3	1/4" - 20 THRU BOLT W/ GROMMET NUT, LENGTH TO SUIT DOOR THICKNESS	1/4" - 20 THRU BOLT W/ GROMMET NUT, LENGTH TO SUIT DOOR THICKNESS

ALWAYS REQUEST LATEST TEMPLATE DRAWINGS FOR NEW INSTALLATIONS

DO NOT SCALE DRAWINGS ALL DIMENSIONS ARE IN INCHES



REVERSIBLE/ NON-HANDED  
 ALL DRILLING AND TAPPING TO BE DONE IN FIELD  
 ALL DIMENSIONS SHOWN IN INCHES

FOR SINGLE ACTING DOORS ONLY  
 FOR DEAD STOP ADD 3/8" TO "A" DIMENSION

1-1/4" TO 2-3/8" DOOR THICKNESS BUTT & OFFSET PIVOT	DEGREE	85° H.O.		90° H.O.		95° H.O.		100° H.O.		105° H.O.		110° H.O.		
	MODEL NO.	DOOR OPENING	A	B	A	B	A	B	A	B	A	B	A	B
	7010 7020	23" TO 28-15/16"	5-3/8	8-1/4	5	7-7/8	4-11/16	7-9/16	4-3/8	7-1/4	4-1/8	7	3-7/8	6-3/4
	7011 7021	29" TO 34-15/16"	7-15/16	11-7/8	8-3/8	10-1/4	7-15/16	9-13/16	7-1/2	9-3/8	7-3/16	9-1/16	6-7/8	8-3/4
	7012 7022	35" TO 40-15/16"	10-9/16	14-1/8	10-15/16	12-5/16	10-7/16	11-13/16	9-15/16	11-5/16	9-1/2	10-7/8	9-1/8	10-1/2
	7013 7023	41" TO 46-15/16"	13-1/4	16-7/16	13-9/16	14-1/2	12-15/16	13-7/8	12-3/8	12-5/16	11-7/8	12-13/16	11-7/16	12-3/8
	7014 7024	47" - UP	15-1/2	19-13/16	15-7/8	17-11/16	15-3/16	17	14-1/2	16-5/16	13-15/16	15-3/4	13-3/8	15-3/16

"A" & "B" DIMENSION MEASURED FROM CENTER OF PIVOT - NOT EDGE OF DOOR

1-1/4" TO 2-3/8" DOOR THICKNESS CENTER HUNG	DEGREE	85° H.O.		90° H.O.		95° H.O.		100° H.O.		105° H.O.		110° H.O.		
	MODEL NO.	DOOR OPENING	A	B	A	B	A	B	A	B	A	B	A	B
	7010 7020	24" TO 31-15/16"	5-3/8	8-1/4	5-1/16	7-15/16	4-3/4	7-5/8	4-1/2	7-3/8	4-5/16	7-3/16	4-1/16	6-15/16
	7011 7021	32-1/2" TO 38-7/16"	9	10-7/8	8-1/2	10-3/8	8-1/8	10	7-3/4	9-5/8	7-7/16	9-5/16	7-1/8	9
	7012 7022	38-1/2" TO 44-3/16"	11-11/16	13-1/16	11-1/8	12-1/2	10-5/8	12	10-1/8	11-1/2	9-3/4	11-1/8	9-7/16	10-13/16
	7013 7023	44-1/4" TO 50-3/16"	14-3/8	15-5/16	13-11/16	14-5/8	13-1/16	14	12-9/16	13-1/2	12-1/16	13	11-5/8	12-9/16
	7014 7024	50-1/4" & UP	16-3/4	18-9/16	15-15/16	17-3/4	15-3/16	17	14-9/16	16-3/8	14-1/16	15-7/8	13-9/16	15-3/8